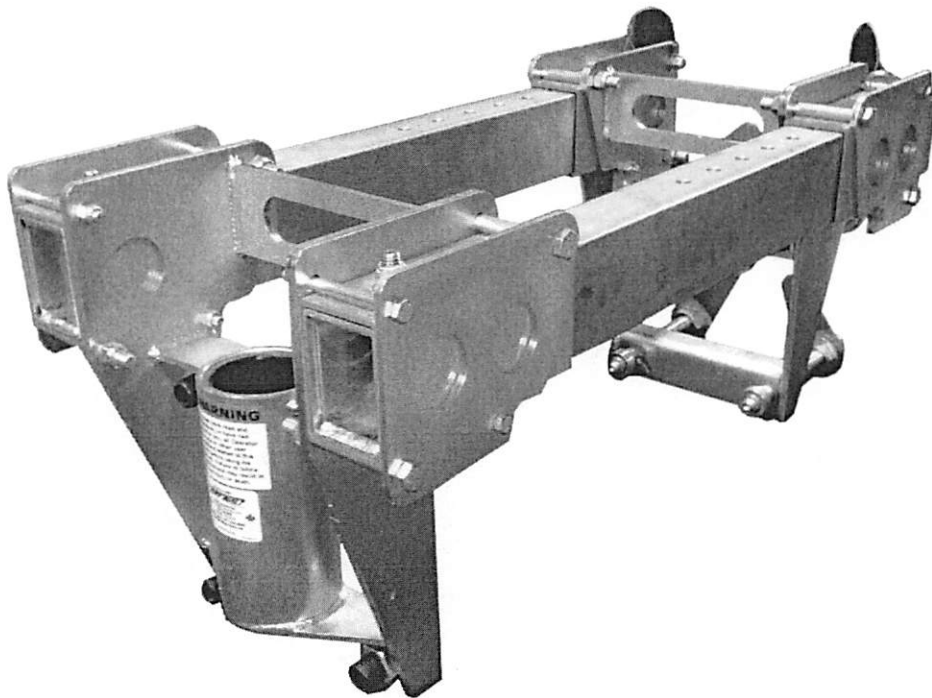


# PRO-SERIES

ADJUSTABLE BARREL MOUNT SLEEVE

PT# 30029

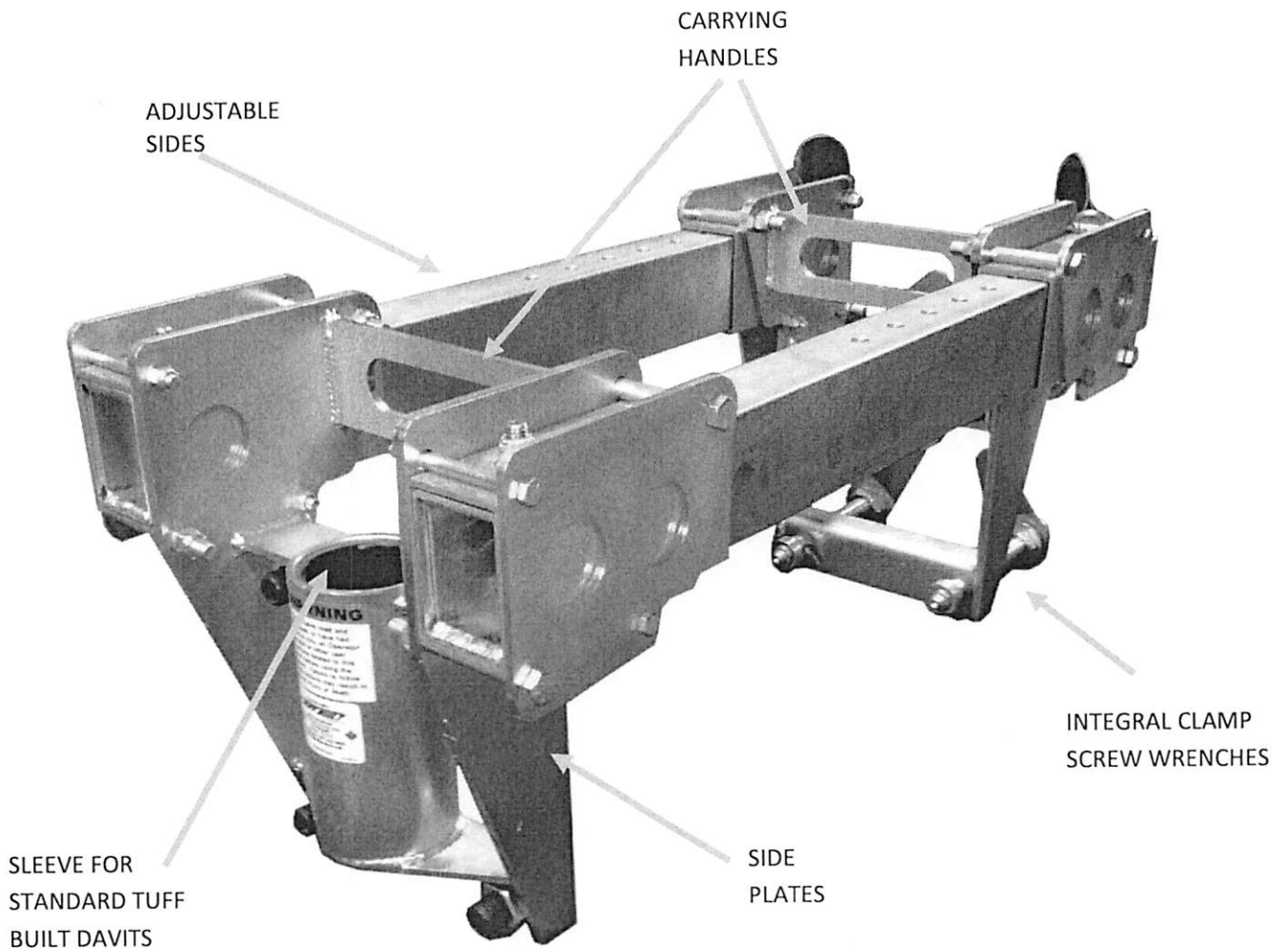
OPERATOR'S MANUAL



**DESIGNED TO INSTALL OVER EXISTING VERTICAL STRUCTURE SUCH AS SHORING WALLS, TANK EDGES, PARAPETS, OR SIMILAR APPLICATIONS.**

## TABLE OF CONTENTS

1. INTRODUCTION to ADJUSTABLE BARREL MOUNT APPLICATIONS
2. APPLICATION RESTRICTIONS
3. GENERAL SYSTEM REQUIREMENTS
4. SET-UP and ACCESSORY INSTALLATION and OPERATION
5. TRAINING
6. INSPECTION
7. MAINTENANCE LUBRICATION and STORAGE
8. SPECIFICATIONS



## **1. INTRODUCTION to ADJUSTABLE BARREL MOUNT APPLICATIONS**

Congratulations on your purchase of a Best Safety Systems Pro- Series Adjustable Barrel Mount sleeve as part of your Safety-at-Heights equipment.

The Adjustable Barrel Mount is constructed of 6061T6 Aluminum, heavy duty zinc-plated steel or stainless steel for rugged performance in a demanding environment.

The Adjustable Barrel Mount is designed to install over existing vertical structure such as shoring walls, tank edges, parapets, or similar structures to provide a mounting base for all standard Tuff Built davits in various confined space safety, fall protection, and rescue applications.

This product has been specifically designed and carefully manufactured to provide reliable operation.

## **2. APPLICATION RESTRICTIONS**

There are restrictions and limitations that must be carefully considered in the selection, installation, and operation of this type of equipment. Serious injury or death may result from failure to consider these factors.

### **2.1 CAPACITY**

This product is designed to support a single davit up to its rated working capacity.

### **2.2 MOUNTING REQUIREMENTS**

Structures selected for the installation of this sleeve **MUST BE** capable of supporting a minimum 90,000 in-lb (10,000 N.m) moment and 5000 lb (22.2kN) vertical load, or **MUST BE** approved by a Qualified Person so as to maintain an appropriate safety factor for the given application(s) as specified in applicable regulations.

### **2.3 SITE CHARACTERISTICS, PHYSICAL and ENVIRONMENTAL FACTORS**

Work sites have associated with them any of a number of hazards related to the site itself. These may include, but are not limited to poisonous or explosive atmospheric conditions, poisonous or corrosive chemical hazards, hot surfaces, electrical hazards, sharp edges, engulfment hazards, or moving machinery.

All of these factors must be taken into consideration when selecting equipment for a given application.

Activities involving working at heights require the use of equipment to protect the worker in the event of a fall. Suitable fall protection must be provided as required by applicable local regulations when using the Adjustable Barrel Mount.

#### 4. INSTALLATION & SET-UP

The Adjustable Barrel Mount must be inspected before each use as outlined in Section 6.1.

Any problems must be reported immediately to your supervisor, and the equipment labeled so as to prevent further use until it has been repaired.

Install the Adjustable Barrel Mount Sleeve over an approved supporting structure as shown in Figure 2 below. Tighten Clamps Screws securely using the integral wrenches provided. Do not use larger tools or any kind of an extension on these wrenches.

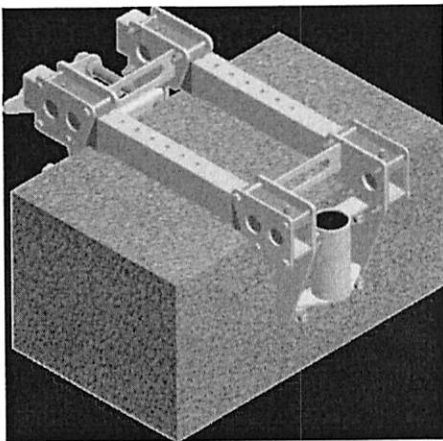


Figure 2, Attaching Typical Adjustable Barrel Mount Sleeve to Supporting Structure.

Install the Davit and any other system accessories following the appropriate manufacturer's instructions supplied with the equipment.

#### 4.2 SYSTEM OPERATION

Once the equipment has been installed as described above, proceed with the work at hand following approved procedures.

#### 5. TRAINING

Any worker using the Adjustable Barrel Mount must receive appropriate training from their employer on all equipment and procedures involved prior to operating. Users must fully read and understand this manual and any other instruction manual(s) related to the system being used, or have the instructions explained to them, before using this equipment.

#### 6. INSPECTION

## 6.1 DAILY INSPECTION

The Adjustable Barrel Mount must be cleaned and inspected before each use as described in Sections 6.1.1 & 6.1.2. Report any problems or concerns to your supervisor, and do not use the equipment until they have approved doing so.

### 6.1.1 Cleaning and Lubrication

If required, clean and lubricate the Adjustable Barrel Mount and all its parts as outlined in Section 7. Do not use solvents or other chemicals to clean the base.

### 6.1.2 Physical Damage

Inspect the Adjustable Barrel Mount and all accessories for physical damage; bent parts, loose or missing hardware or parts, and missing, or illegible labels (see Figure 5). Replacement labels are available from your dealer by ordering the part number typically shown in the lower right hand corner of each label.

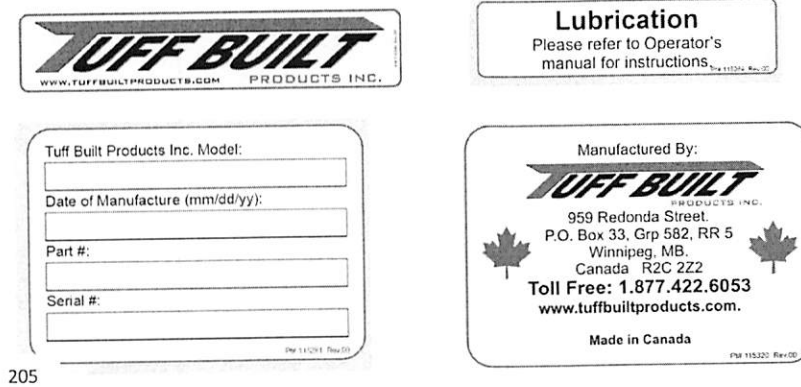


Figure 5, Typical Adjustable Barrel Mount Labels

While minor cosmetic damage will not affect the structural integrity of the Adjustable Barrel Mount, a seriously damaged unit **MUST BE** removed from service and returned to an authorized service center for repair prior to further use.

Additionally, inspect any accessories being used with the Barrel Mount as instructed in the Operators Manual provided by the respective manufacturer at the time of purchase.

**NOTE:** Any time this equipment is returned to a factory authorized service center for repair, please provide photocopies of all previous Inspection Log sheets for that winch to assist with diagnosis and processing of any warranty claims.

Please obtain a Returned Goods Authorization number from the service center before sending your Adjustable Barrel Mount for service.

## 6.2 ANNUAL INSPECTION

At least annually, and more frequently if subjected to harsh conditions or excessive use, the Adjustable Barrel Mount **MUST BE** given a detailed inspection by a competent person as described below, and the results recorded in an Inspection Log. A sample Inspection Log is provided on Page 9 of this manual, please make photocopies of this sample to record all inspection results.

**NOTE:** Any time equipment is returned to a factory authorized service center for repair, please provide photocopies of all previous Inspection Log sheets for that product to assist with diagnosis and processing of any warranty claims.

Please obtain a Returned Goods Authorization number from the service center before sending your equipment for service.

### 6.2.1 Cleaning

Prior to this inspection, clean the exterior surfaces of the Adjustable Barrel Mount with a mild soap solution on a soft cloth. Do not use solvents or other chemicals to clean the product.

### 6.2.2 Inspection Procedure

Following the instructions contained in Section 6.1.2, inspect the Adjustable Barrel Mount for physical damage. Record the results in the Inspection Log.

**IMPORTANT:** Be sure to review any previous inspection records to be aware of existing concerns and to allow for re-inspection of any potential problem areas. Cumulative findings may lead to the need for repair or replacement when looked at together.

## 7. MAINTENANCE, LUBRICATION and STORAGE

The Adjustable Barrel Mount has been designed to provide many years of trouble free service, and requires little in the way of routine maintenance.

Any loose fasteners should be tightened, with the Barrel being sent to a factory authorized service center for inspection and major repair if necessary.

Basic cleaning should be performed at least annually (as outlined in Section 7.1) as part of the annual inspection or more frequently as required when used is under harsh conditions.

#### **7.1 Cleaning the Adjustable Barrel Mount Sleeve**

Use a solution of warm water and a mild detergent to clean the Adjustable Barrel Mount and its labels. Do not use solvents or other cleaners to clean the base, as this may result in damage to the finish.

#### **7.2 Lubrication**

##### **7.2.1 Clamp Screw Lubrication**

After cleaning and inspection as instructed in Section 7, apply WD-40® or similar moisture displacing penetrating lubricant as required, and wipe away any excess with a clean cloth. Do not apply oil, grease, or other lubricants that may attract and trap contaminants.

#### **7.3 Storage**

Store this equipment out of direct sunlight in a cool, dry area away from dust, chemicals or other harmful material. Always inspect before using equipment that has been stored for any extended period of time.

#### **7.4 Parts Considered Normal Wear and Tear for Warranty Purposes**

Sleeve liner, Product Labels, and Clamp Screw assemblies are subject to wear as part of normal operation and are not covered under warranty unless found to contain defects in material or manufacturing.

## 8. SPECIFICATIONS

Pro-Series Adjustable Barrel Mount Sleeves are constructed of high quality steel or stainless steel. Steel parts are zinc plated for corrosion resistance. Hardware is zinc plated, minimum Grade 5.

Sleeve liner material is HDPE Pipe.

### DIMENSIONS:

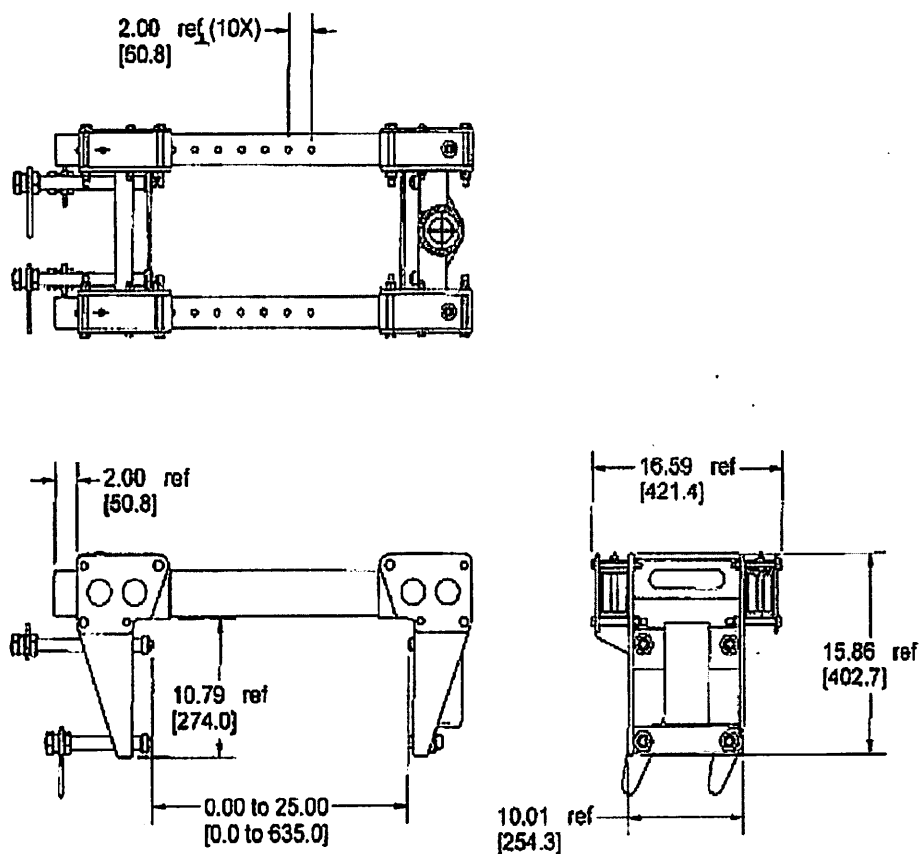


Figure 6, Adjustable Barrel Mount Dimensions