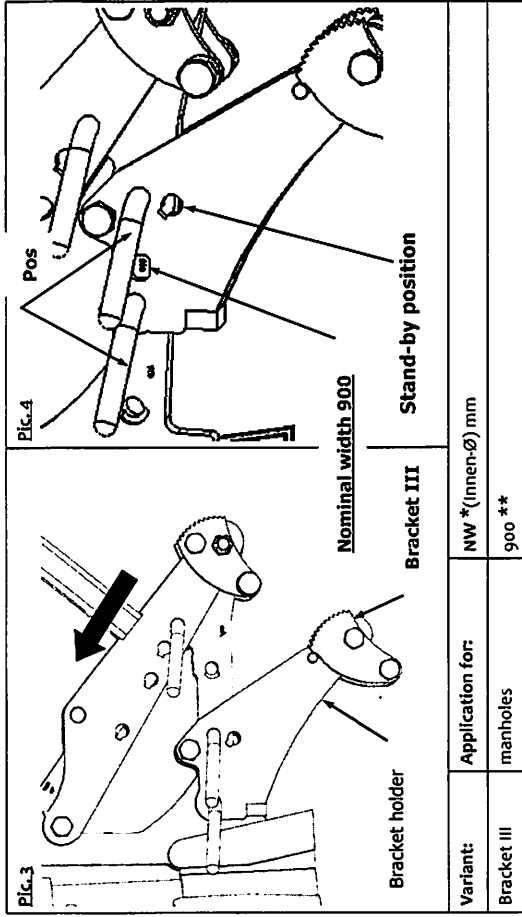


6.1.2 Bracket III



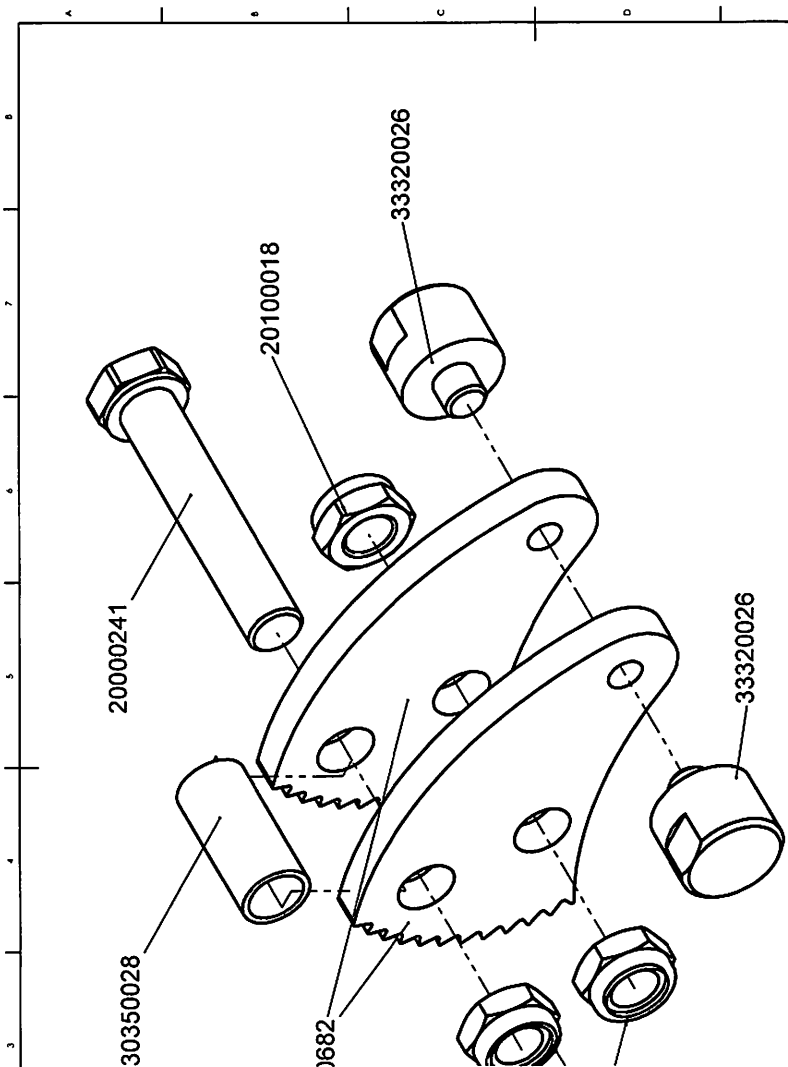
Variant:	Application for:	NW *(innen-Ø) mm
Bracket III	manholes	900 **

* = (NW) Nominal width of gripping goods
** = Tolerance ± 10 mm (± 7/16")

PROCEDURE

- ⚠ Caution with adjustments at the device, do not grip into moveable parts.
Danger of injury the hands!
- To adjust the respective nominal width, first remove the safety clips at the socket pin and then pull the socket pin (Pos.1) out.
- Position bracket holder (marking) at the respective nominal width "900" (Pic. 4).
- Insert the socket pin (Pos.1) again into respective hole.
- Secure socket pin (Pos.1) again with safety clip.
- Bracket II must be moved inwards (see arrow-picture 3)!

⚠ Take notice, that all three brackets are adjusted to the same nominal width.
Slipping danger of gripping good!




Allgemeintoleranzen nach DIN ISO 2768/ISO 2768-mS		Sägemesser Biegehubmesser - Blechstärke	
Bei Änderungen Rücksprache mit TB !		Maßstab: 1:1	Gewicht: 1,3 kg
Format A3		Schutzvermerk nach DIN 34 beachten! Nachdruck nur mit unserer Genehmigung!	
Oberflächenbehandlung		Bemerkung	
Datum	Name	Präzise2, (vormontiert), für SVZ-uni	
Zust.	Ref. Quanz	Achsennummer/Zeichnungsnummer	
Grp		E44000038	
WAL		Kunde	
Kunde		En. 1	
Von	Urspr	En. d.	
Zust.	Änderungsdatum	Blatt 1 von 1	

7 Operation

7.1 General

7.1.1 Manhole rings (general use)

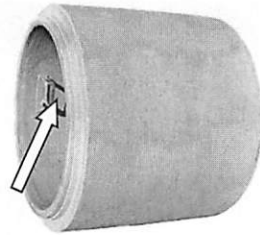


When gripping manhole rings with step irons (see ) the brackets are not positioned too close at the step irons!

When placing the manholes on each other, it is recommendable to mark the manholes at the outside with color, chalk or similar.

So that the step irons always is placed at the same position to the already placed manhole ring.

TIP



Caution: do not grip into moveable parts.

Danger of injury the hands!

- Device (SVZ-uni UK) is fastened by chain suspension /load hook to the support frame (excavator).
- Position device (SVZ-uni UK) over the gripping good (manhole).
- Relieve chain suspension/load hook at support frame (excavator), until load tie rod slips downward.
- Move device lifting hook by diagonal pulling of load tie rod in position "release" (Pic. 1).
- Drive with device (SVZ-uni UK) into the gripping good.
- Relieve chain suspension /load hook at support frame (excavator), until load tie rod slips downward.
- Move device lifting hook by diagonal pulling of load tie rod in position "lift" (Pic. 2).

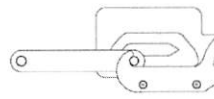


Fig. 1

Position „Release“

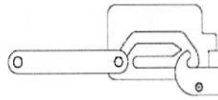
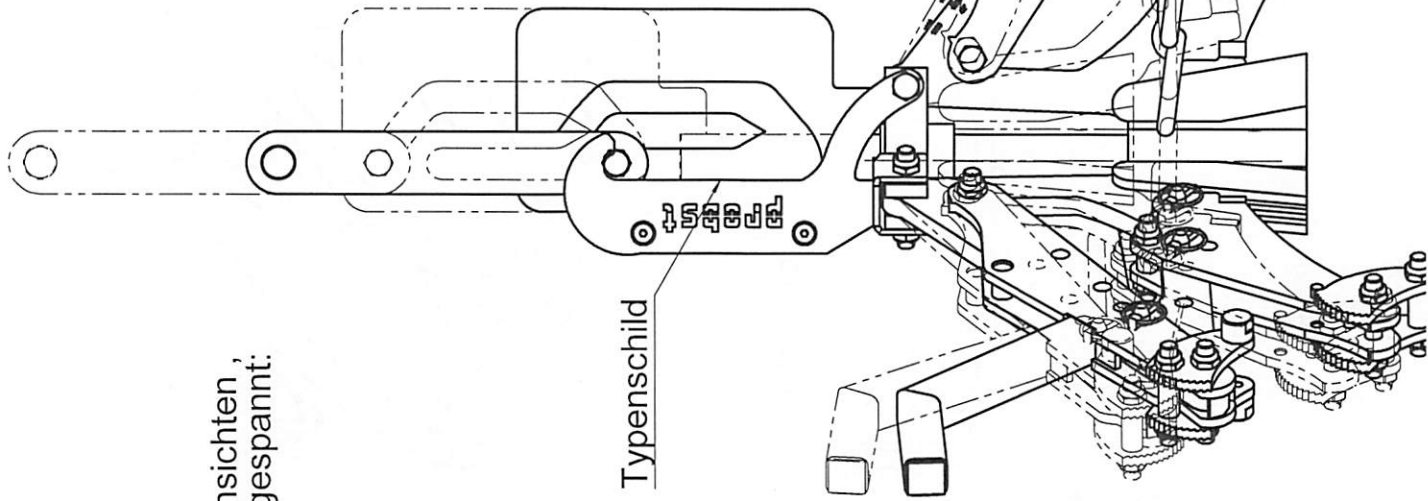


Fig. 2

Position „Lift“

dargestellte Ansichten,
hängend und gespannt:
ÖW 900
ÖW 1000



Typenschild