



Nominal width 1000, 1050, 1200, 1250, 1350, 1500 – Bracket II

All three stabilizers of the device must always rest on the upper edge of the gripping good (manhole):
(see Plc. 3)

As soon as only one of the three stabilizers has a larger distance than 15 mm (between stabilizer lower edge and gripping good upper edge), it's in no case allowed, to lifted the gripping good!

!IP: Lower the device to the ground and try again.

Otherwise exists slipping danger of the gripping good!

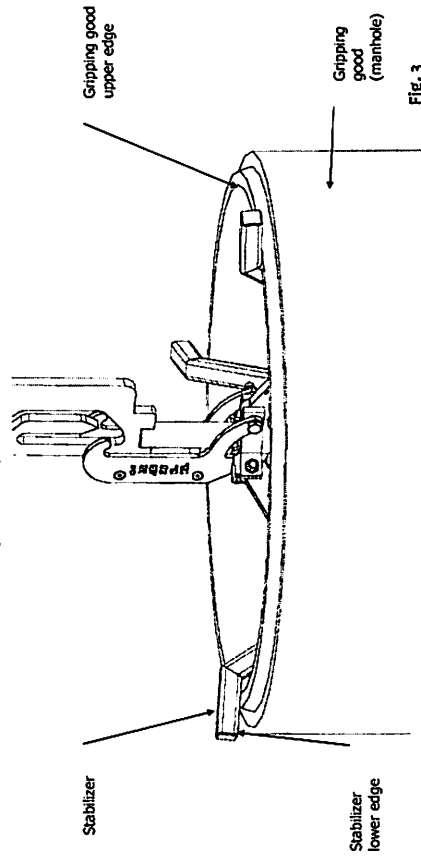
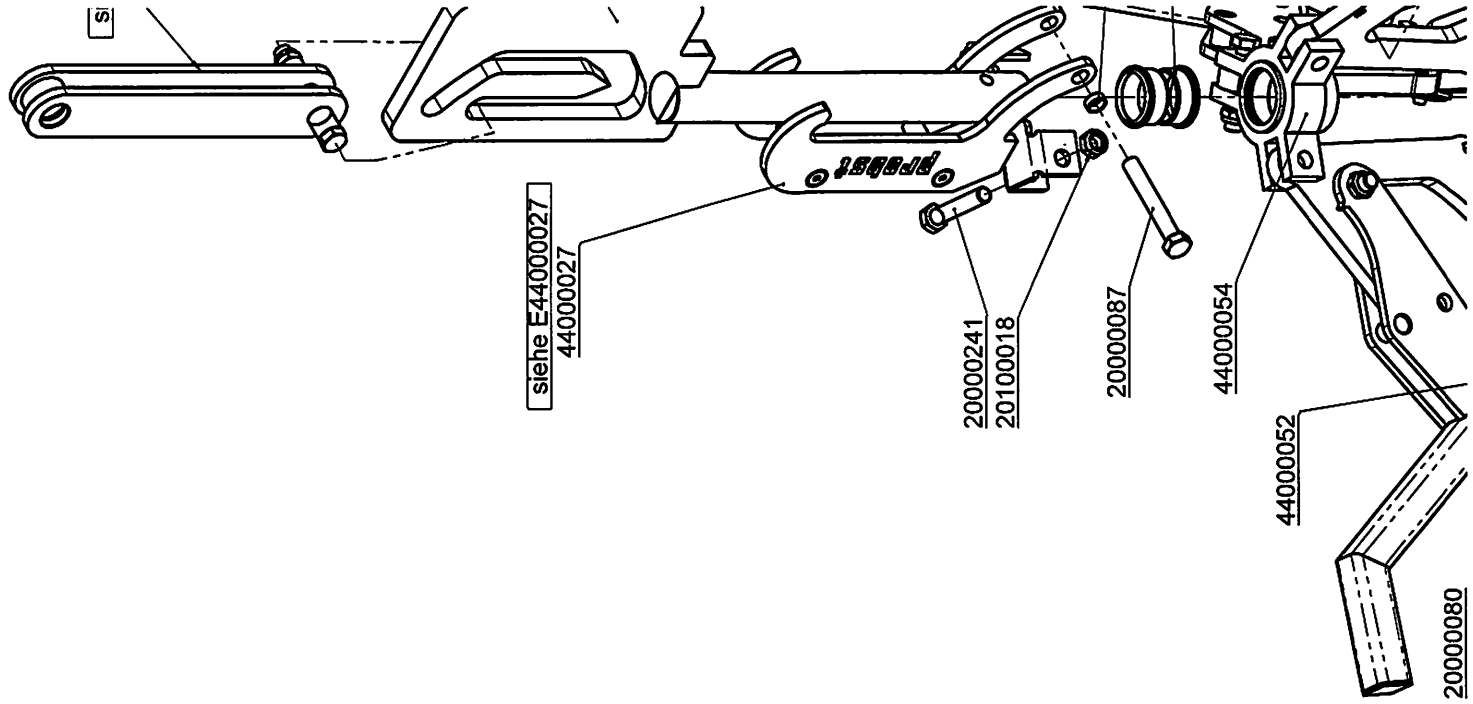


Fig. 3





Nominal width 900 – Bracket III

All three stabilizers of the device must always rest on the upper edge of the gripping good (manhole) (see Pic. 4)

As soon as only one of the three stabilizers has a larger distance than 15 mm (0,59") (between stabilizer lower edge and gripping good upper edge), it's in no case allowed, to lifted the gripping good!



TIP: Lower the device to the ground and try again. Otherwise exists slipping danger of the gripping good!

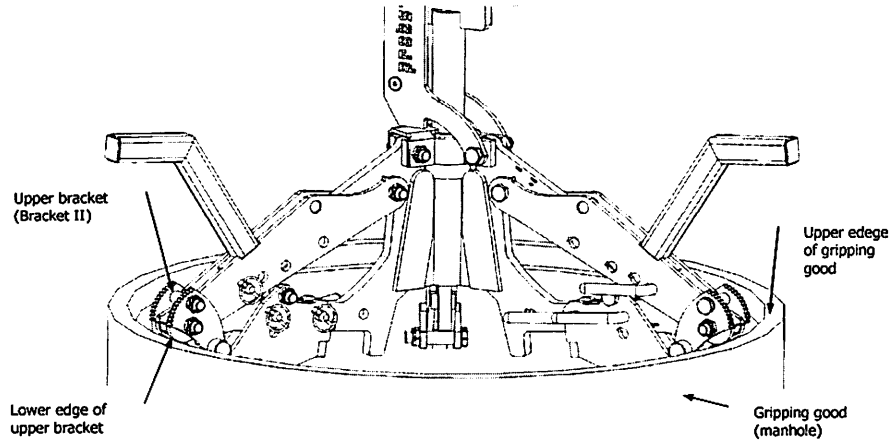
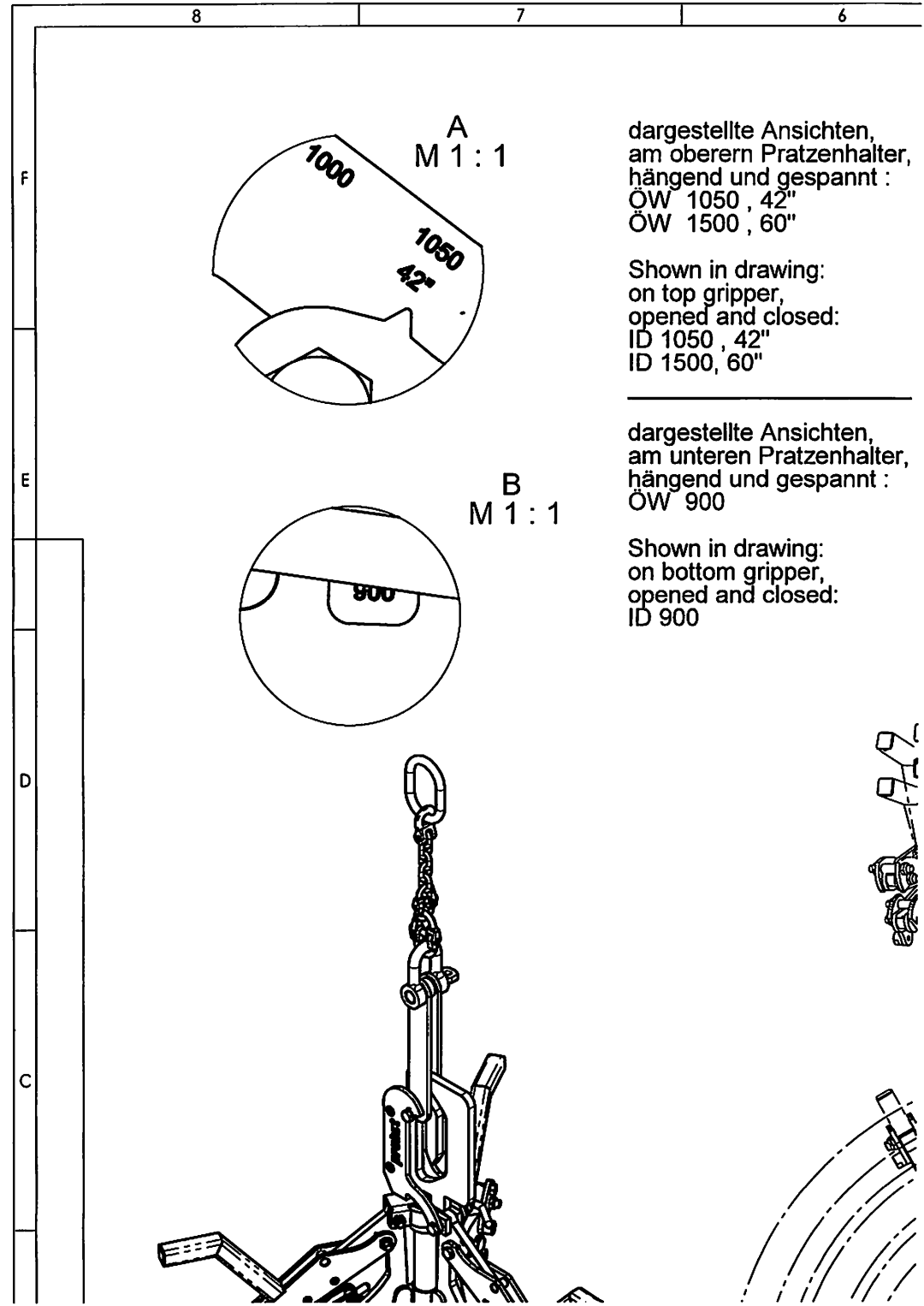


Fig. 4

Lift the support frame slowly with seized gripping good and avoid jerky movements!



Never drive with the support frame (excavator) and gripped-load on device (SVZ-uni UK) over uneven area faster than slow modulation rate!



A
M 1 : 1

dargestellte Ansichten,
am oberern Prätzenhalter,
hängend und gespannt :
ÖW 1050 , 42"
ÖW 1500 , 60"

Shown in drawing:
on top gripper,
opened and closed:
ID 1050 , 42"
ID 1500 , 60"

B
M 1 : 1

dargestellte Ansichten,
am unteren Prätzenhalter,
hängend und gespannt :
ÖW 900

Shown in drawing:
on bottom gripper,
opened and closed:
ID 900

