

8.1 Hints to the identification plate



Type, serial-number and production year are very important for the identification of your device. If you need information to spare-parts, warranty or other specific details please refer to this information. The maximum carrying capacity is the maximum load which can be handled with the device. Do not exceed this carrying capacity.

If you use the device in combination with other lifting equipment (Crane, chain hoist, forklift truck, excavator) consider the deadweight of the device.

probst
 Probst Technik Maschinenbau
 Griesbach-Charnerstrasse 6
 71274 Linsengericht
 For 0992 744 3070
 info@probst-technik.de
 www.probst-technik.de

916



Example:

8.2 Hints to the renting/leasing of PROBST devices



With every renting/leasing of PROBST devices the original operating instructions must be included unconditionally (in deviation of the users country's language, the respective translations of the original operating instructions must be delivered additionally)!

7-1.1.1 Manhole rings (DIN 4034-1 and 2) with total height of 250 mm (10")



When gripping manhole rings with a minimum total height of 250 mm (10") an accessory must be fitted additionally: "Adaptor kit for SVZ-uni" (see Fig. alongside). →



Order no.: 4400.0079



Adaptor kit may only be used, when manhole rings with a total height of 250 mm (10") should be installed (and not generally for larger total heights):



Manhole rings with a lower total height as 250 mm (10") may not be gripped and transported!

- The gripping of manhole rings (total height 250 mm/10") WITHOUT above named accessory (4400.0079) is prohibited (→ see Fig. 1).
Danger of slipping danger and damage the gripping good!

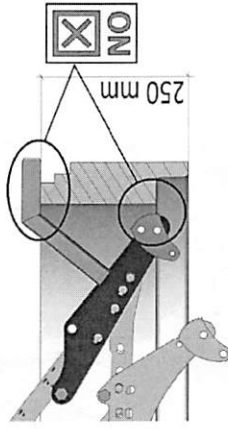


Fig. 1

Fig. 1 shows a manhole ring with a minimum total height of 250 mm (10") without "adaptor kit for SVZ-uni" (4400.0079).

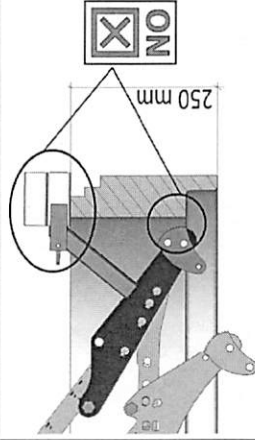


Fig. 2

Fig. 2 shows a manhole ring with a minimum total height of 250 mm (10") with "adaptor kit for SVZ-uni" (4400.0079) fitted wrongly.

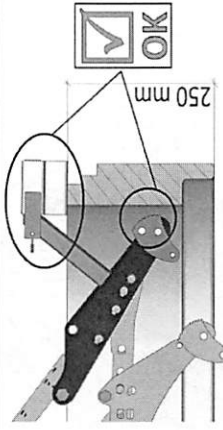


Fig. 3

Fig. 3 shows a manhole ring with a minimum total height of 250 mm (10") with "adaptor kit for SVZ-uni" (4400.0079) fitted correctly.

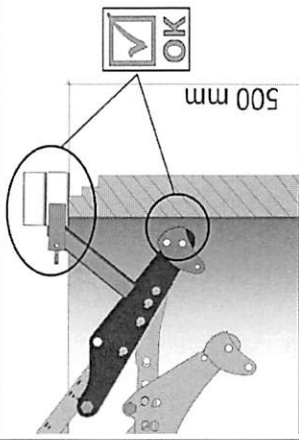


Fig. 4

Fig. 4 shows a manhole ring with a larger total height as 250 mm (eg 500 mm / ~ 19,5") with "adaptor" fitted for normal use of SVZ-uni" (4400.0079).

Reason: so that the adaptor cannot get lost.

7.1.2 Shaft cones



When gripping shaft cones with bracket III mind, that all three brackets are gripping below of the cylindrical part of the of the manhole cover opening (See Fig.5). I.e. the cylindrical part may have a maximum allowable measure of 150 mm (< 150 mm).

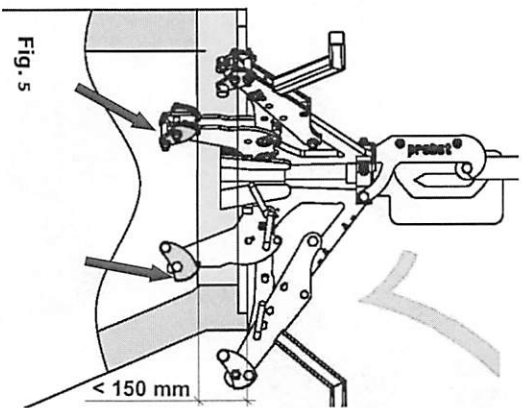


Fig. 5



The gripping of shaft cones with a cylindrical part more than 150 mm (> 150 mm) is not allowed. The brackets gripping then, with the lifting in the cylindrical part of the manhole cover opening (See Fig.6). The shaft cone hangs thereby a little diagonal. Thus it exists slipping danger of the gripping good!

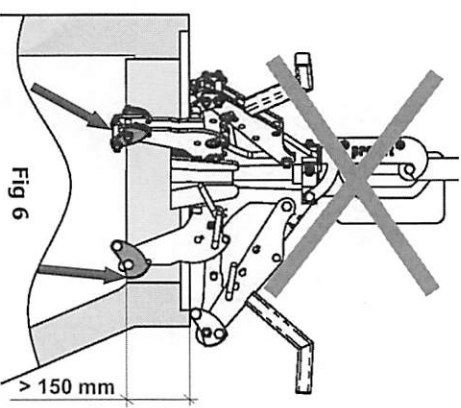


Fig 6

8.2 Repairs

- Only persons with the appropriate knowledge and ability are allowed to repair the device.
- Before the device is used again, it has to be checked by an expert.

8.3 Safety procedures

- It is the contractor's responsibility to ensure that the device is checked by an expert in periods of max. 1 year and all recognized errors are removed (→ see BGR 500).
- The corresponding legal regulations and the regulations of the declaration of conformity have to be observed!
- We recommend, that after checking the device the badge „Safety checked“ is put on the device. (Order-No.: 2904.0056 +inspection sticker with date).
- You can receive these badges from us.



The check by an expert must be proved!

Device	Year	Date	Expert	Company