

# Instruction Manual



Read carefully  
the manual  
before use  
the equipment



## RESCUE LIFTING DEVICE RUP-502 EN 1496:2006 CLASS B Ref.: AT 050 xx

The rescue lifting device RUP-502 is a component of rescue system. Using RUP-502 the rescuer can lift the other person from a lower to a higher, place or lower him over a distance limited to 2 m. The RUP-502 is designed to use with the TM-9 tripod.

The rescue lifting device RUP-502 complies with EN1496:2006 Class B.

### TECHNICAL DATA

- max. working load: 140 kg
- hand force required: 22 kG
- automatic brake which intervenes to avoid self-contained descent of the worker;
- integrated rope diameter:  $\varnothing 6,3$  mm
- Max. lifting distance: 25 m
- hand operation

### PERIODIC INSPECTIONS

After each 12 months of utilization the rescue lifting device must be withdrawn from use to carry out manufacturer's detailed inspection. The inspection must be carried out by the rescue lifting device manufacturer or his certified representative only. During this inspection will be established admissible time of the device use till next manufacturer's inspection. The result of inspection must be recorded in Identity Card.

### WITHDRAWAL FROM USE

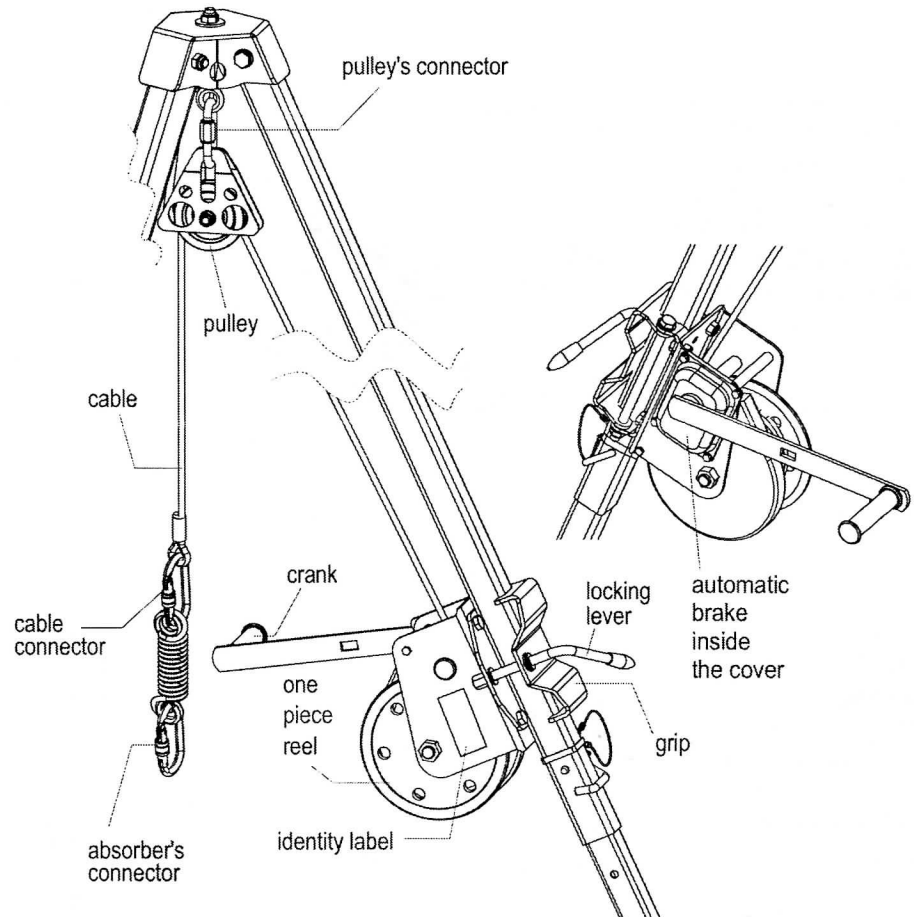
The rescue lifting device RUP-502 must be withdrawn from use immediately when:

- it has been a component of equipment used to arrest a fall
- any doubt arise about its condition for safe use

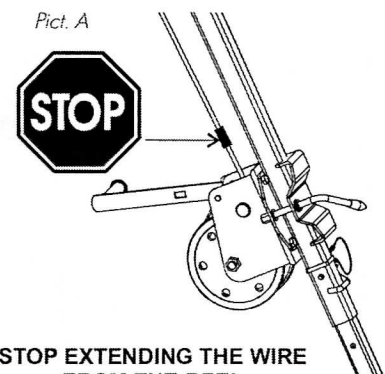
The device shouldn't be used again until confirmed in writing by device manufacturer or his certified representative after carried out the detailed inspection. Any repair or service operation shall only be carried out by fall arrester manufacturer or his certified representative.

### CAUTION!

- It is forbidden to use the rescue lifting device RUP-502 as the protection against falls from a height. When there is a danger of falling from a height additional secondary fall arrest system conforming EN 363 must be used.
- The lifting / lowering function is for rescue purposes only and not for lifting / lowering loads.
- Always operate the device RUP-502 with hand power and with crank included in the equipment only.
- Never allow to full extension of the working rope from the reel. Keep at least three rope fakes on the reel - it is marked by a special safety sign which is situated on the rope. Stop extend the rope from the reel when the red safety sign appears! Obligatory check a condition of the safety sign. See picture A.
- before each use, a close visual examination of the device cover, reel, snap hook, crank, holder and working cable must be carried out in respect of mechanical, chemical and thermal defects. The user has to check the reel and brake functioning. The examination must be carried out by a person who is going to use the device. Check also the stability of fastening the winch to a tripod. In the case of any defect or doubt of correct condition of the device, do not use the device.
- There should be direct or indirect visual contact or some other means of communication with the rescuee at all times during the rescue process.
- using the device RUP-502, in connection with fall arrest system, must be compatible with manual instructions of the fall arrest systems and obligatory standards:
  - EN 361, EN 341, EN 1497, EN 1498 - for body holding devices;
  - EN362 - for the connectors;
  - EN795 - for anchor devices;
  - EN353-1, EN353-2, EN354, EN 355, EN360- for fall arrest systems.



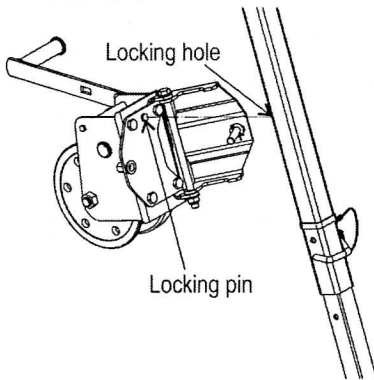
Pict. A



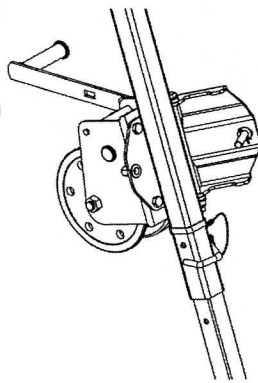
**STOP EXTENDING THE WIRE  
FROM THE REEL  
WHEN THE RED SAFETY  
SIGN APPEARS**

## INSTALLING THE RUP-502 ON THE TRIPOD

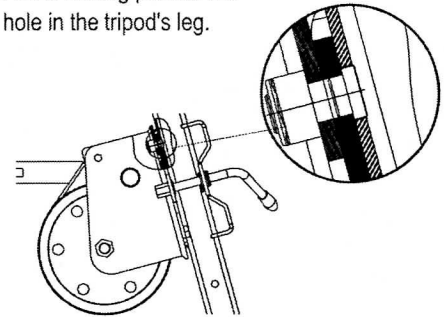
1. Open the grip



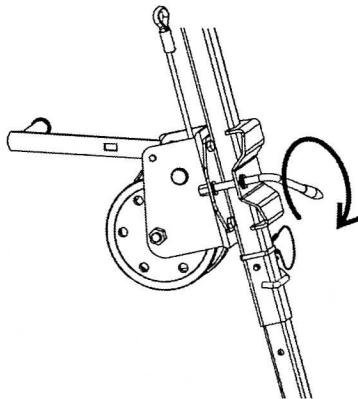
2. Put the RUP-502 on the tripod's leg. The grip of the RUP-502 must be fastened on the locking hole situated on the bottom wall of the leg's profile.



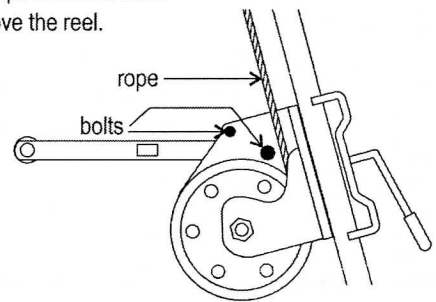
3. Fit the locking pin into the hole in the tripod's leg.



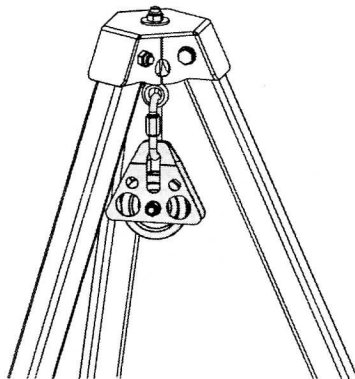
4. Close the grip. Lock the grip using the lever. Grease the lever's thread with small amount of constant lubricant before installation. The winch shall not slide on the profile.



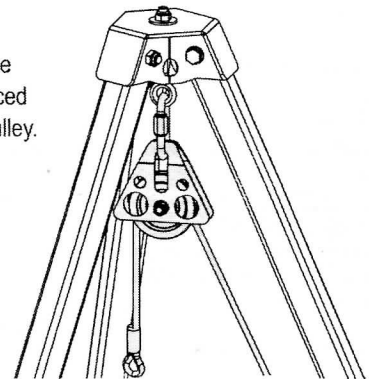
5. Guide the rope behind 2 bolts located above the reel.



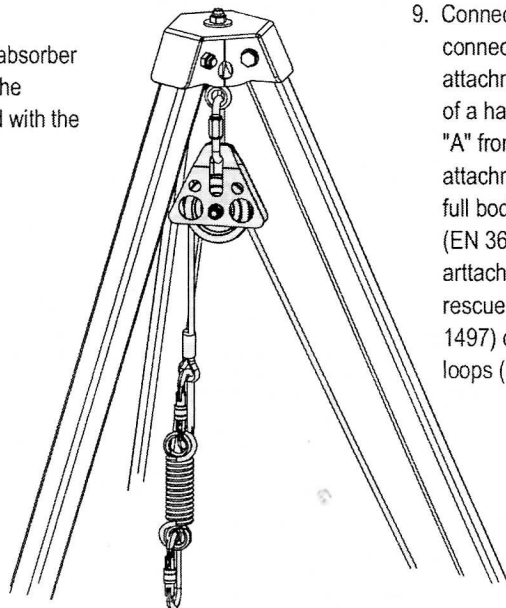
6. Anchor the pulley to the central anchor eye bolt of the tripod. Both walls of the pulley should be linked together using the connector supplied with the pulley. Ensure the connector is closed and locked.



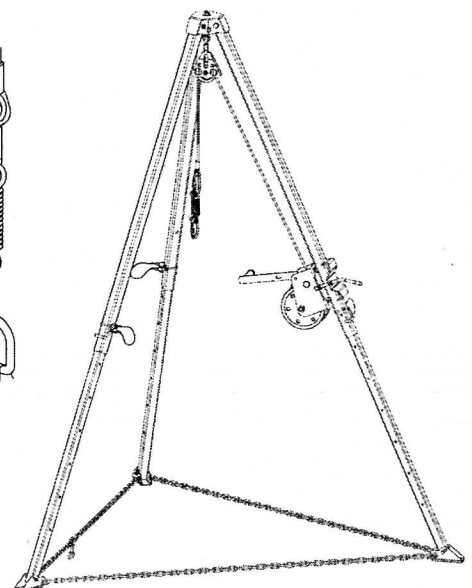
7. Put the rope on the pulley. Ensure that the cable is correctly placed on the roller of the pulley.



8. Attach the energy absorber to the cable using the connector supplied with the absorber.



9. Connect absorber's connector to the attachment element of a harness. Use "A" frontal or dorsal attachment point in full body harness (EN 361) or rescue attachment point in rescue harness (EN 1497) or rescue loops (EN 1498).

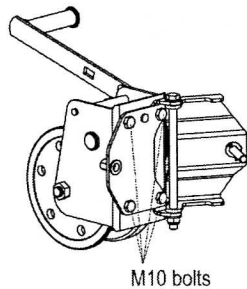


## INSTALLING THE RUP-502 ON A STRUCTURAL ANCHOR ELEMENT

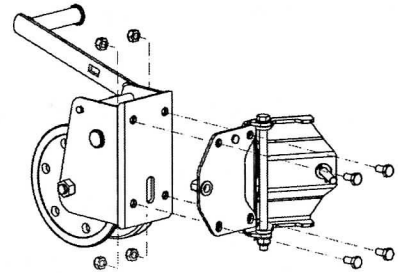
It's possible to instal the RUP-502 directly on the structural anchor element like flat surface (e.g wall) or steel profile. The structural anchor element to which the RUP-502 is fastened must have stable construction and have minimal static strength of 14 kN. Construction and fastening of the structural anchor element must prevent of accidental disconnection of the RUP-502. To instal the RUP-502 on the structural anchor element we must remove the grip which is designed to be used only for the TM-9 tripod.

### REMOVING THE GRIP

1. Undo four M10 nuts on the bolts fastened the grip to the RUP-502.

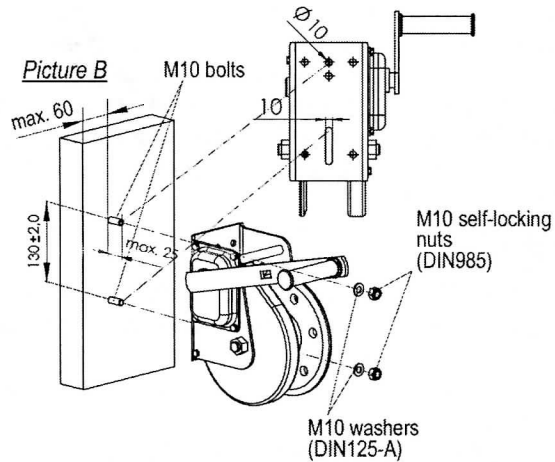


2. Remove the bolts. Remove the grip.



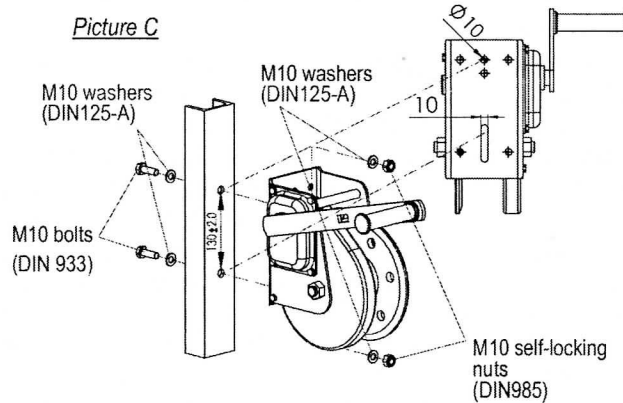
### INSTALLING ON THE FLAT SURFACE

1. The RUP-502 should be installed using two ( $\phi 10$  mm and 10 x 50 mm) wholes situated on the back wall of the RUP-502.
2. Install the RUP-502 using two M10 steel or chemical anchor bolts installed in the way shown on the picture B. Put the washer M10 (DIN 125A) under each nut. Tighten two M10 self-locking nuts.



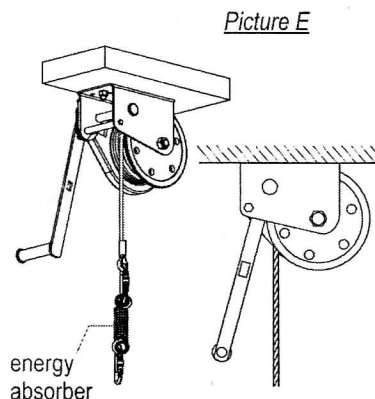
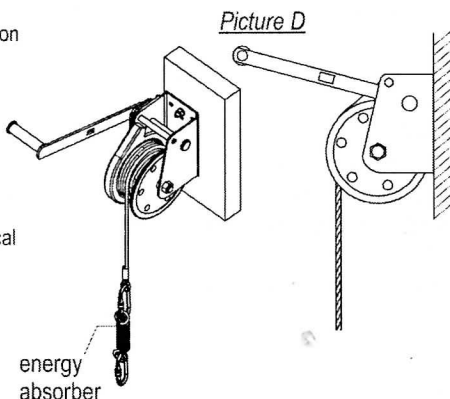
### INSTALLING ON THE STEEL PROFILE

1. The RUP-502 should be installed using two ( $\phi 10$  mm and 10 x 50 mm) wholes situated on the back wall of the RUP-502.
2. Install the RUP-502 using two M10 steel bolts. Put the bolts through the structural anchor profile and through the back wall of the RUP-502. Position of the wholes is shown on the picture C. Put the washers M10 (DIN 125A) under the head of each bolt and under each nut. Tighten two M10 self-locking nuts (DIN 985).



### POSITIONING OF THE RUP-502

1. Check the proper position of the RUP-502 and correct guiding of the rope shown on the pictures D and E. The construction element where the RUP-502 is installed must be vertical (D) or horizontal (E).



3. Connect absorber's connector to the attachment element of a harness. Use "A" frontal or dorsal attachment point in full body harness (EN 361) or rescue attachment point in rescue harness (EN 1497) or rescue loops (EN 1498).



## CONTENT OF THE DEVICE IDENTITY LABEL

reference number of the device two last digits are the code of the rope length, e.g. (AT 053 35 for rope length 35 m or AT 053 50 for rope length 50 m) European standard number/year/class	<b>RESCUE LIFTING DEVICE</b> <b>RUP-502</b> Ref.: AT 050 xx SERIAL NUMBER: XXXXXX DATE OF MANUFACTURE: xx / xxxx EN 1496:2006 / B	type of the device name of the device number of the manufacturing series month / year of the device manufacture	permissible (maximal) weight of the lifting person 140 kg before use read the manual	MAX. WORKING LOAD: 140 kg MAX. LIFTING DISTANCE: xx m ONLY FOR RESCUE PURPOSES	maximum lifting distance marking of manufacturer or distributor
--	--	--	--	---	---



**G-Force**  
Safety @ Height Products

## THE ESSENTIAL PRINCIPLES OF USE OF PERSONAL PROTECTIVE AND RESCUE EQUIPMENT

- personal protective equipment shall only be used by a person trained and competent in its safe use.
- personal protective equipment must not be used by a person with medical condition that could affect the safety of the equipment user in normal and emergency use.
- a rescue plan shall be in place to deal with any emergencies that could arise during the work.
- it is forbidden to make any alterations or additions to the equipment without the manufacturer's prior written consent.
- any repair shall only be carried out by equipment manufacturer or his certified representative.
- personal protective equipment shall not be used outside its limitations, or for any purpose other than that for which it is intended.
- personal protective equipment should be a personal issue item.
- before use ensure about the compatibility of items of equipment assembled into a fall arrest system. Periodically check connecting and adjusting of the equipment components to avoid accidental loosening or disconnecting of the components.
- it is forbidden to use combinations of items of equipment in which the safe function of any one item is affected by or interferes with the safe function of another.
- before each use of personal protective equipment it is obligatory to carry out a pre-use check of the equipment, to ensure that it is in a serviceable condition and operates correctly before it is used.
- during pre-use check it is necessary to inspect all elements of the equipment in respect of any damages, excessive wear, corrosion, abrasion, cutting or incorrect acting, especially in retractable fall arresters - cable or webbing, retractor and brake proper acting, casing, energy absorber, connector;
- regular periodic inspections are the essential for equipment maintenance and the safety of the users which depends upon the continued efficiency and durability of the equipment.
- during periodic inspection it is necessary to check the legibility of the equipment marking.
- it is essential for the safety of the user that if the product is re-sold outside the original country of destination the reseller shall provide instructions for use, for maintenance, for periodic examination and for repair in language of the country in which the product is to be used.
- personal protective equipment must be withdrawn from use immediately when any doubt arise about its condition for safe use and not used again until confirmed in writing by equipment manufacturer or his representative after carried out the detailed inspection.
- a full body harness conformed to EN 361 is the only acceptable body holding device that can be used in a fall arrest system.
- in full body harness use only attaching points marked with big letter "A" to attach a fall arrest system.
- the anchor device or anchor point for the fall arrest system should always be positioned, and the work carried out in such a way, as to minimise both the potential for falls and potential fall distance. The anchor device/point should be placed above the user. The shape and construction of the anchor device/point shall not allowed to self-acting disconnection of the equipment. It is recommended to use certified and marked structural anchor point complied with EN795.
- it is obligatory to verify the free space required beneath the user at the workplace before each occasion of use the fall arrest system, so that, in the case of a fall, there will be no collision with the ground or other obstacle in the fall path. The required value of the free space should be taken from instruction manual of used equipment.
- there are many hazards that may affect the performance of the equipment and corresponding safety precautions that have to be observed during equipment utilization, especially:- trailing or looping of lanyards or lifelines over sharp edges,- any defects like cutting, abrasion, corrosion, - climatic exposure,- pendulum falls,- extremes of temperature,- chemical reagents,- electrical conductivity.
- personal protective equipment must be transported in the package (e.g.: bag made of moisture-proof textile or foil bag or cases made of steel or plastic) to protect it against damage or moisture.
- the equipment can be cleaned and disinfected without causing adverse effect on the materials in the manufacture of the equipment. For textile products use mild detergents for delicate fabrics, wash by hand or in a machine and rinse in water. Plastic parts can be cleaned only with water. When the equipment becomes wet, either from being in use or when due cleaning, it shall be allowed to dry naturally, and shall be kept away from direct heat. In metallic products some mechanic parts (spring, pin, hinge, etc.) can be regularly slightly lubricated to ensure better operation.
- personal protective equipment should be stored loosely packed, in a well-ventilated place, protected from direct light, ultraviolet degradation, damp environment, sharp edges, extreme temperatures and corrosive or aggressive substances.

IT IS THE RESPONSIBILITY OF THE USER ORGANISATION TO PROVIDE THE IDENTITY CARD AND TO FILL IN THE DETAILS REQUIRED. THE IDENTITY CARD SHOULD BE FILLED IN ONLY BY A COMPETENT PERSON RESPONSIBLE FOR PROTECTIVE EQUIPMENT. THE IDENTITY CARD SHOULD BE FILLED IN BEFORE THE FIRST USE OF THE EQUIPMENT. ANY INFORMATION ABOUT THE EQUIPMENT LIKE: PERIODIC INSPECTIONS, REPAIRS, REASONS OF EQUIPMENT'S WITHDRAWN FROM USE SHALL BE NOTED. THE IDENTITY CARD SHOULD BE STORED DURING A WHOLE PERIOD OF EQUIPMENT UTILIZATION. DO NOT USE THE EQUIPMENT WITHOUT THE IDENTITY CARD.

# IDENTITY CARD

MODEL AND TYPE OF EQUIPMENT	REF. NUMBER
-----------------------------	-------------

SERIAL NUMBER	DATE OF MANUF.
---------------	----------------

USER NAME	
-----------	--

DATE OF PURCHASE	DATE OF PUTTING INTO OPERATION
------------------	--------------------------------

## PERIODIC EXAMINATION AND REPAIR HISTORY

	DATE	REASON FOR ENTRY PERIODIC EXAMINATION OR REPAIR	DEFECTS NOTED, REPAIRS CARRIED OUT AND OTHER REVELANT INFORMATIONS	NAME AND SIGNATURE OF COMPETENT PERSON	PERIODIC EXAMINATION NEXT DUE DATE
1					
2					
3					
4					
5					
6					
7					
8					
9					
10					
11					
12					
13					
14					

Tacklestore Ltd,  
 Unit 23 Atlantic Road  
 Avonbridge Trading Estate  
 Avonmouth, Bristol, BS11 9QD, England

tel. 0044 1179 381600  
 fax 0044 1179 381 602  
[www.fall-protection.uk.com](http://www.fall-protection.uk.com)